

## MPA5-28 Power drive Component

### 1 Features

- The components are driven by DC/DC converter and motor.
- The input PWM signal is electrically isolated from the drive circuit
- Inhibit function
- Built-in current limiting protection circuit



### 2 Applications

- DC motor drive control
- Drive the reactive load

### 3 Descriptions

MPA5-28 can provide the load with 5A continuous output current. Module is composed of DC/DC converter and a separate motor drive circuit, built-in isolation circuit, with a prohibited function; input power supply including 28V control power and motor power, input signal TTL wide square wave signal; with small size, System interface is convenient and so on.

### 4 Technical Specifications

Form 1 Electrical characteristics

1) Input control voltage : 28V ; Motor power supply DC: 16V-60V 2) Input signal: TTL square wave 3) Input frequency $\leq 45\text{KHZ}$ 4) Inhibit function, Disable threshold level: Low level $\leq 0.8\text{V}$	5) Current limiting protection 6) Operating temperature: $-40^{\circ}\text{C} \leq T_c \leq 85^{\circ}\text{C}$ 7) Size: 80mm $\times$ 58mm $\times$ 25mm
---	---

## 5 Lead function description

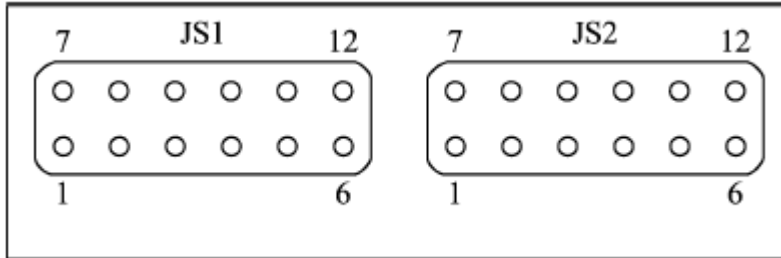


Fig 2 Bottom view

Form 3 Pin Designation (JS1 Socket)

No	symbol	Designation	No	symbol	Designation
1	GND	28V Ground	7	+28V	+28V
2	GND	28V Ground	8	+28V	+28V
3	GND	28V Ground	9	+28V	+28V
4	GND	28V Ground	10	+28V	+28V
5	TTL GND	TTL Ground	11	DIS	Inhibit
6	TTL	TTL Input	12	NC	NC

Form 3 Pin Designation (JS2 Socket)

No	symbol	Designation	No	symbol	Designation
1	VS	Motor supply	7	Vs	Motor supply
2	GND	Power Ground	8	Vs	Motor supply
3	GND	Power Ground	9	GND	Power Ground
4	Aout	A output	10	Aout	A output
5	Aout	A output	11	Bout	B output
6	Bout	B output	12	Bout	B output

## 6 Circuit block diagram

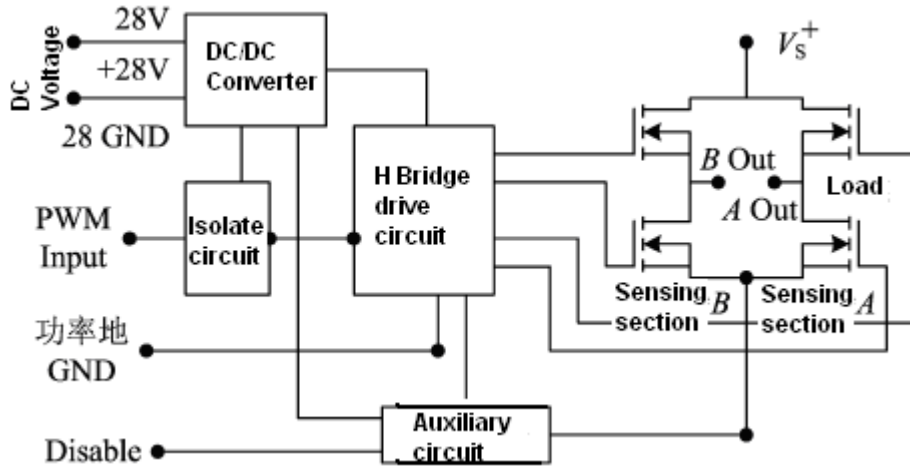


Fig 3 Circuit block diagram

## 7. Typical Connection Diagram (Fig 5, Unit: mm)

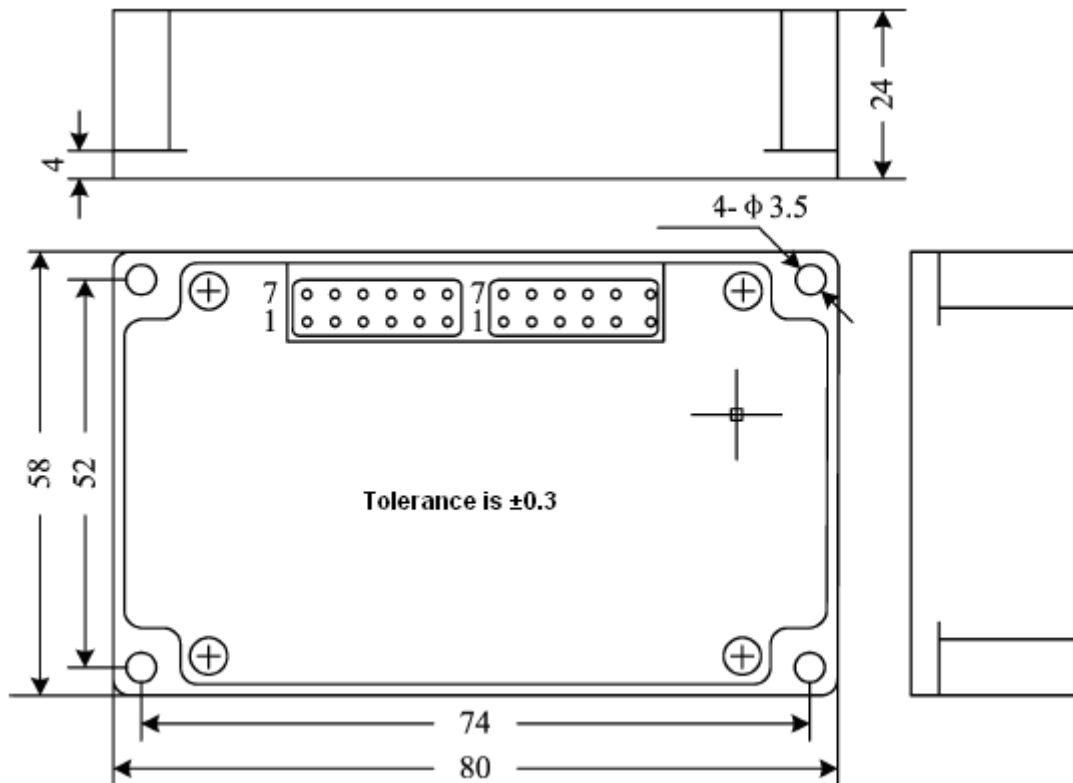


Fig 4

Application notes please refer to the appendix, must read it carefully