

MPWM100-10 Large power PWMA

1 Features

- Customer Design
- Wide input voltage: 16V~100V
- $\pm 10V$ Analog DC signal input
- Max continuous input current 50A
- The product includes a current limiting circuit
- Work in the rated power without the need for external radiator



45.0×40.0×6.5mm³

Weight: 65g

2 Applications

- DC motor drive control
- Drive the reactive load

3 Descriptions

MPWM100-10 is a switching mode PWMA. It can provide 1KW maximum load power for the load; the product needs two power supplies, +15V for the small signal control circuit power supply; 16V-100V motor power supply for the internal H bridge; input circuit control signal for the bipolar analog DC input($\pm 10V$) flat signal; Output pulse square wave signal frequency 0.9~2KHz. When the output current is greater than 50A, the circuit will close the four power driving tubes of the H bridge circuit to make the product into the protection state. The circuit can back to work normally again until restart.

MPWM100-10 PWMA using excellent structural design to ensure the rated power conditions within the product dissipation power can be better passed to the shell without the need for external cooling device, easy to use and easy to install. The connection of the product and system only needs to be done through the connection socket, without any external components.

4 Technical Specifications

Form 1 Electrical characteristics

Absolute Maximum Ratings	Recommended working conditions
Supply voltage +Vs: 100V Supply voltage +Vcc: 16V Internal power loss : 380W (Total power consumption of two tubes) Storage temperature: -55°C~+105°C Operating temperature (Tc) : -40°C~+85°C Input voltage +PWM: ±10V	Supply voltage +Vs: 16V~100V Supply voltage +Vcc: 15V Input voltage +PWM: ±2V

5 Lead function description

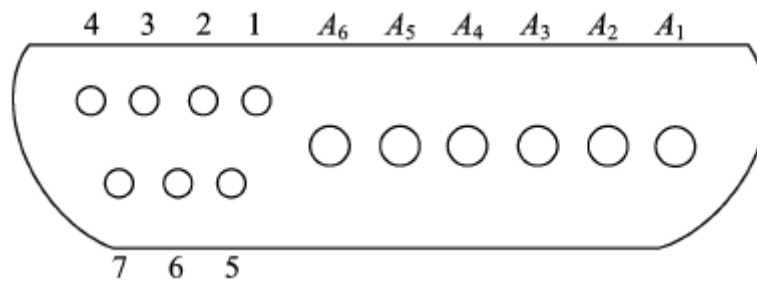


Fig 2 Bottom view

Form 3 Lead description

中文错误?

No.	Symbol	Function	No.	Symbol	Function
1	1	Control signal ground	8	A1	+100V
2	2	+15V	9	A2	Power Ground
3	3	NC	10	A3	Output 1
4	4	Control signal	11	A4	Output 2
5	5	+15V ground	12	A5	Current protect Shutdown
6	6	Function direction signal terminal A	13	A6	NC
7	7	Function direction signal terminal B			

6 Circuit block diagram

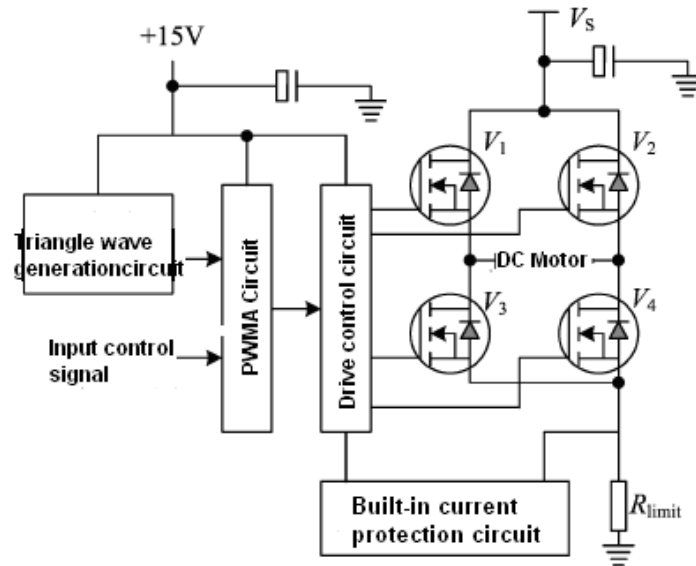


Fig 3 Circuit block diagram

7. Typical Connection Diagram

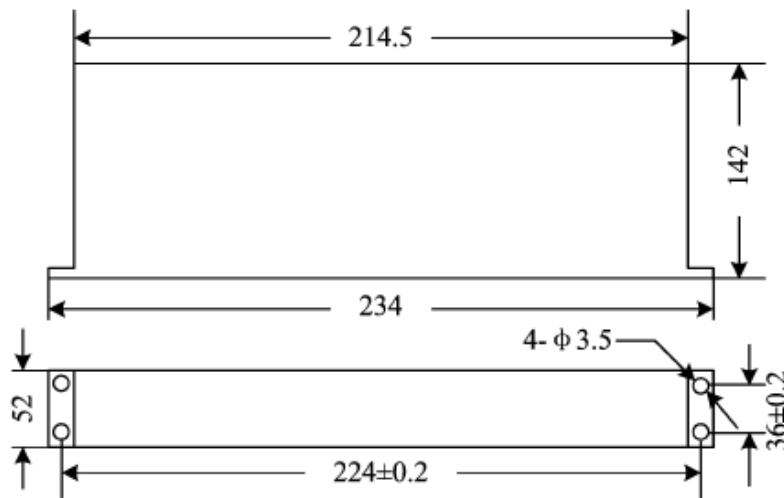


Fig 4

Application notes please refer to the appendix, must read it carefully