

## HSK5275 Series Mil-spec DC-DC converter

### 1.1 Absolute maximum rated of mil-spec DC-DC converter

Pulse input voltage  $V_{INP}$

(Positive pulse width 100ms, positive duty cycle 1%)  $\cdots -20V \sim +60V$ ;

Input voltage  $V_{IN}$   $\cdots \cdots \cdots 26V$ ;

Output current limit  $\cdots \cdots \cdots 7.5A$ ;

Storage temperature  $T_{stg}$   $\cdots \cdots \cdots -65^{\circ}C \sim 150^{\circ}C$ ;

Lead welding temperature (10s)  $T_h$   $\cdots \cdots \cdots 300^{\circ}C$ ;

Junction temperature  $T_j$   $\cdots \cdots \cdots 175^{\circ}C$ ;

Thermal resistance  $R_{(th)J-C}$   $\cdots \cdots \cdots 3.0^{\circ}C/W$ ;

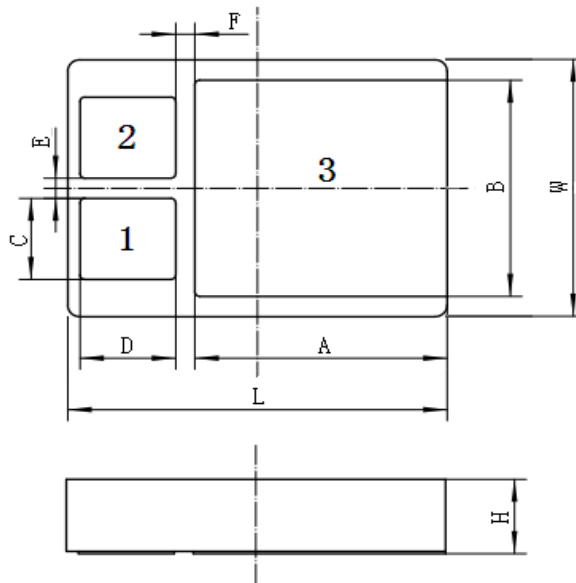
Power consumption  $P_b$ (Without heat sink)  $\cdots \cdots \cdots 300mW$ .

### 1.2 Recommended operating conditions of mil-spec DC-DC converter

Input voltage  $V_{IN}$   $\cdots \cdots \cdots (V_{OUT}+1)V$ ;

Operating temperature  $T_c$   $\cdots \cdots \cdots -55^{\circ}C \sim 125^{\circ}C$ .

### 1.3 Package Specifications of mil-spec DC-DC converter

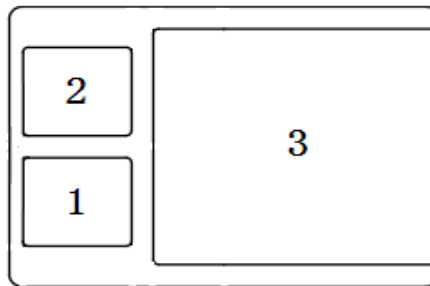


Unit:mm

Symbols	Data		
	Minimum	Typical	Maxim
<i>A</i>	10.24	-	10.84
<i>B</i>	9.23	-	9.83
<i>C</i>	3.4	-	3.8
<i>D</i>	3.8	-	4.2
<i>E</i>	0.80	-	-
<i>F</i>	0.70	-	-
<i>H</i>	-	-	3.90
<i>L</i>	-	-	16.15
<i>W</i>	-	-	11.71

Fig 34 HSK5275 Package outline drawing

## 1.4 Pin Designations of mil-spec DC-DC converter



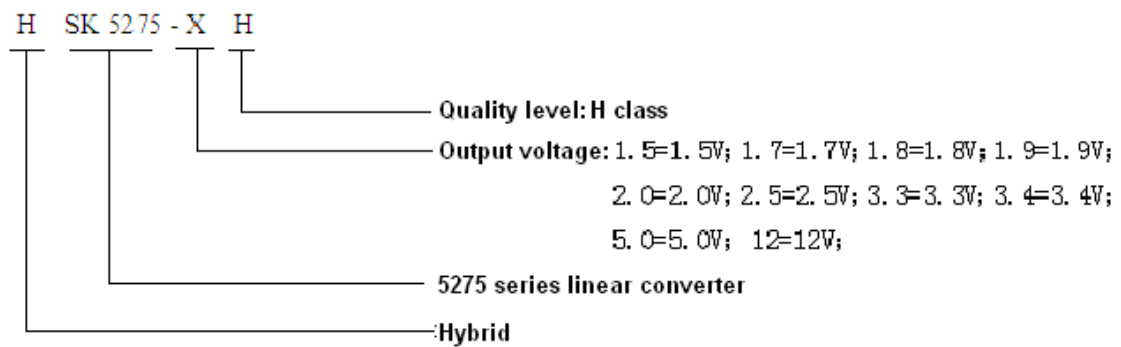
(Bottom view)

Pin	Symbol	Designation
1	$V_{IN}$	Input
2	$V_{OUT}$	Output
3	GND	GND

Fig 35 HSK5275 Pin Designations

## 1.5 Ordering Information of mil-spec DC-DC converter

Part number contains the use of the production process, serial number, output voltage, quality level and other information. As shown below:



## 1.6 Technical Specifications of mil-spec DC-DC converter

Table 12a HSK5275-1. 5H Electrical characteristics

Items	Symbol	Condition (Unless otherwise specified, $-55^{\circ}\text{C} \leq T_c \leq 125^{\circ}\text{C}$ )	A Group	Limited value		Unit
				Min	Max	
Output voltage	$V_{OUT}$	$I_{OUT} = 10\text{mA}$ , $V_{IN} = 2.5\text{V}$	1, 2, 3	1. 47	1. 53	V

Input and output voltage difference	$V_{DO}$	$T_A=25^\circ\text{C}; \Delta V_{OUT}=-1\%; I_{OUT}=250\text{mA}$	1	—	600	mV
		$T_A=25^\circ\text{C}; \Delta V_{OUT}=-1\%; I_{OUT}=7.0\text{A}$		—	950	
Static ( ground ) current	$I_Q$	$T_A=25^\circ\text{C}; V_{IN}=2.5\text{V}, I_{OUT}=4.0\text{A}$	1	—	70	mA
		$T_A=25^\circ\text{C}; V_{IN}=2.5\text{V}, I_{OUT}=7.0\text{A}$		—	180	
Load regulation	$S_L$	$I_{OUT}=10\text{mA}\rightarrow 7.0\text{A}, V_{IN}=2.5\text{V}$	1, 2, 3	—	2	%
Voltage regulation	$S_V$	$V_{IN}=2.5\text{V}\rightarrow 26\text{V}, I_{OUT}=10\text{mA}$	1, 2, 3	—	1	%
Output noise voltage	$V_N$	$T_A=25^\circ\text{C}; C_L=33\mu\text{F}\sim 47\mu\text{F}, I_{OUT}=10\text{mA}, f\leq 300\text{KHz}$	4	—	100	$\mu\text{V}$
Output current limit	$I_{LIM}$	$T_A=25^\circ\text{C}; V_{IN}=2.5\text{V}$	4	—	12	A
Thermal shutoff temperature	$T_{SD}$	$T_A=25^\circ\text{C}; V_{IN}=3.5\text{V}; I_{OUT}=7.0\text{A}$	4	—	150	$^\circ\text{C}$

Table 12b HSK5275-3.3H Electrical characteristics

Items	Symbol	Condition (Unless otherwise specified, $-55^\circ\text{C}\leq T_C\leq 125^\circ\text{C}$ )	A Group	Limited value		Unit
				Min	Max	
Output voltage	$V_{OUT}$	$I_{OUT}=10\text{mA}, V_{IN}=4.3\text{V}$	1, 2, 3	3.234	3.366	V
Input and output voltage difference	$V_{DO}$	$T_A=25^\circ\text{C}; \Delta V_{OUT}=-1\%; I_{OUT}=250\text{mA}$	1	—	100	mV
		$T_A=25^\circ\text{C}; \Delta V_{OUT}=-1\%; I_{OUT}=7.0\text{A}$		—	850	
Static ( ground ) current	$I_Q$	$T_A=25^\circ\text{C}; V_{IN}=4.3\text{V}, I_{OUT}=4.0\text{A}$	1	—	70	mA
		$T_A=25^\circ\text{C}; V_{IN}=4.3\text{V}, I_{OUT}=7.0\text{A}$		—	180	
Load regulation	$S_L$	$I_{OUT}=10\text{mA}\rightarrow 7.0\text{A}, V_{IN}=4.3\text{V}$	1, 2, 3	—	2	%
Voltage regulation	$S_V$	$V_{IN}=4.3\text{V}\rightarrow 26\text{V}, I_{OUT}=10\text{mA}$	1, 2, 3	—	1	%
Output noise voltage	$V_N$	$T_A=25^\circ\text{C}; C_L=33\mu\text{F}\sim 47\mu\text{F}, I_{OUT}=10\text{mA}, f\leq 300\text{KHz}$	4	—	250	$\mu\text{V}$
Output current limit	$I_{LIM}$	$T_A=25^\circ\text{C}; V_{IN}=4.3\text{V}$	4	—	12	A
Thermal shutoff temperature	$T_{SD}$	$T_A=25^\circ\text{C}; V_{IN}=5.3\text{V}; I_{OUT}=7.0\text{A}$	4	—	150	$^\circ\text{C}$

### 1.7 Typical Connection Diagram of mil-spec DC-DC converter

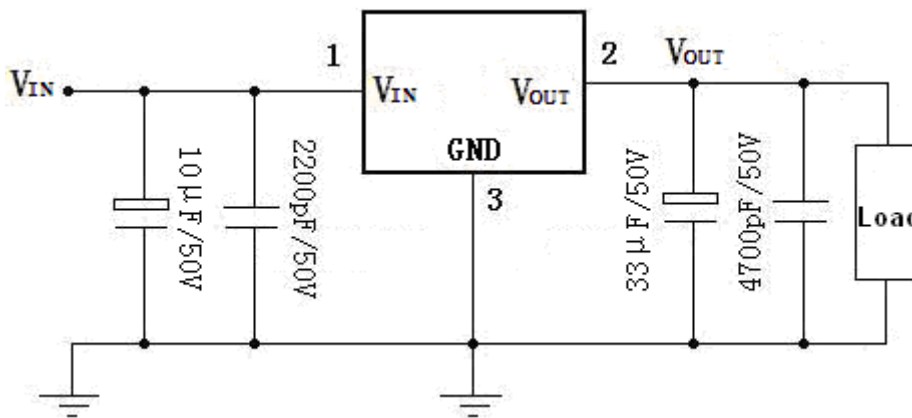


Fig 36 HSK5275 Electrical test line connection diagram

## 1.8 Application Notes of mil-spec DC-DC converter

- ☆ The electronic inspection point should be kept as close as possible at the root of the pin;
- ☆ It is strictly forbidden to bend the pins;
- ☆ To prevent the application of two or more absolute maximum ratings on the device at the same time;
- ☆ To prevent the device from falling off;
- ☆ To prevent the output and ground short circuit;
- ☆ To prevent the device from being reversed or dislocated;
- ☆ During assembly, the bottom of the product should be attached as close as possible to the circuit board to avoid damage to the pin, take shockproof measures for necessary ;
- ☆ Focus on device power consumption, the power consumption  $P_D = I_O(V_{IN} - V_{OUT})$ , When the input/output voltage difference ( $V_{IN}-V_{OUT}$ ) is large, output current  $I_O$  should be smaller; When the input/output voltage difference ( $V_{IN}-V_{OUT}$ ) is small , output current  $I_O$  should be larger; When the device power consumption is large, be sure to configure the appropriate heat sink to prevent the device damaged due to overheating or into the overheating protection status;
- ☆ Both positive and negative terminals of power supply shall be correctly connected when power is applied so as to avoid permanent damage to the device.;
- ☆ Anti-static measures should be taken during storage and transportation.